



TST CO.  
www.TST-CO.com



### موتور دیزل

|                       |                       |                          |
|-----------------------|-----------------------|--------------------------|
| Manufacturer          | Deutz                 | تولید کننده              |
| Type                  | BF6M1015C-G3          | تیپ                      |
| Number of cylinders   | 4                     | تعداد سیلندر ها          |
| Cylinder arrangement  | Vertical in-line      | آرایش سیلندر ها          |
| Cycle                 | 4 stroke              | چرخه                     |
| Aspiration            | Turbo charged         | سیستم تنفس               |
| Bore × Stroke , mm    | 105X120               | قطر سیلندر × کورس پیستون |
| Displacement , Liters | 4                     | جا به جایی               |
| Speed Governor        | Mechanical/Electronic | سرعت گاورنر              |
| Cooling System        | water-cooled          | سیستم خنک کننده          |
| Frequency             | 50Hz                  | فرکانس                   |
| Starter Motor         | 24V                   | استارتر موتور            |



## ژنراتور

|                  |           |             |
|------------------|-----------|-------------|
| Manufacturer     | Stamford  | توليد كننده |
| Type             | HCI444E   | تيپ         |
| Exciter type     | Brushless | نوع كانتر   |
| Power factor     | 0.8       | ضريب قدرت   |
| Voltage          | 400-230   | ولتاژ       |
| Frequency        | 50 Hz     | فرکانس      |
| Speed, Rpm       | 1500      | سرعت        |
| Insulation class | H         | كلاس عايق   |
| Protection class | IP23      | كلاس حفاظتی |
| Excitation       | Brushless | سیستم تمریک |

## DEUTZ Diesel Engine Technical Data

|                                       |                  |
|---------------------------------------|------------------|
| Engine Model                          | BF6M1015C-G3     |
| Number of Cylinders                   | 4                |
| Cylinder arrangement                  | Vertical in-line |
| Cycle                                 | Four stroke      |
| Aspiration                            | Turbocharged     |
| Bore×Stroke (mm×mm)                   | 105x 120         |
| Displacement (Liter)                  | 4                |
| Compression Ratio                     | 17:1             |
| Prime Power/Speed (kW/rpm)            | 60/1500          |
| Standby Power/Speed (kW/rpm)          | 66/1500          |
| Speed Governor                        | Mechanical       |
| Cooling System                        | water-cooled     |
| Fuel Consumption at 100% Load (g/kWh) | 288 (at 1500RPM) |
| Starter Motor                         | 24V              |
| Alternator                            | 24V              |

## Alternator Specification

### Stamford Alternator (Standard)

|   |  |
|---|--|
| Alternator Model                              | HCI 544C(Stamford)<br>EN544C(ENEC)<br>Please Refer To The“ Genset Main Technical Data” |
| Phase/Connect                                 | 3-phase 4-wire ,Y type connection  |
| Excitation Model                              | Self-excite,automatic voltage regulation,Insulation:H,Brushless,Enclosure:IP21—IP23    |
| Power Factor                                  | 0.8  |
| The regulating rate of instantaneous voltage: | -15%~ +20%   |
| The time of steady voltage:                   | ≤1.5sec  |
| The waving rate of voltage:                   | ≤1.0%  |
| The regulating rate of steady frequency:      | ≤5%  |
| regulating rate of instantaneous frequency:   | ≤±10%  |
| The time of steady frequency:                 | 3sec   |
| The waving rate of frequency:                 | ≤1%  |

### ENE Alternator (Option) Technical Data

## Reliable Performance

### Voltage regulation

Voltage regulation maintained within  $\pm 0.5\%$  as follow:

- Power factor Between 0.8~1.0 lag
- From no load to full load, any steady load
- Speed droop variation under 4.5%

### Frequency/Speed undulation

• Change load from 0-100%, Frequency/Speed Droop Ratio within 5% .

• Load from 25-100%, any steady load Frequency/Speed undulation within 0.25%

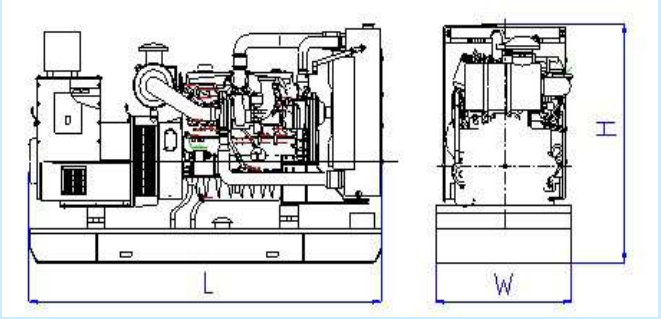
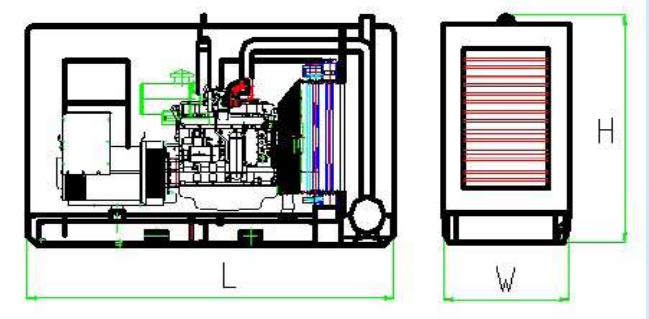
### Effect factor of telecom

- TIF( MA MG1-22) better than 50
- THF( BS EN60034) better than 2%

## Criterion

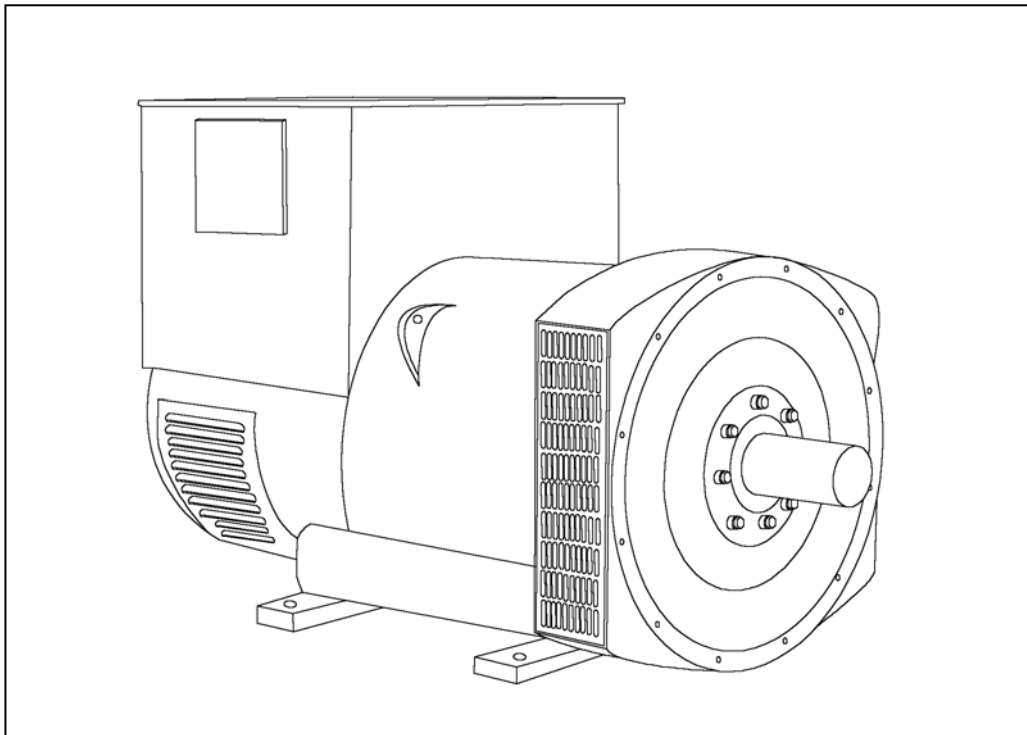
- ISO8528, GB/T2820
- EN12601:2001, EN60034-22:1997, EN60204-1:2006
- ISO9001:2000 Quality Control System

## Dimension and Weight

|  |   |
|--|---|
|  | <p><b>Open Type</b></p> <p>Overall size (L*W*H)<br/>3100×1900×2100<br/>Weight: 2000kg</p>   |
|  | <p><b>Silent Type</b></p> <p>Overall size (L*W*H)<br/>3600×2000×2200<br/>Weight: 3200kg</p> |

# STAMFORD<sup>®</sup>

## HCI 434E/444E - Technical Data Sheet



# HCI434E/444E

## SPECIFICATIONS & OPTIONS

**STAMFORD**

### STANDARDS

Newage Stamford industrial generators meet the requirements of BS EN 60034 and the relevant section of other international standards such as BS5000, VDE 0530, NEMA MG1-32, IEC34, CSA C22.2-100, AS1359. Other standards and certifications can be considered on request.

### VOLTAGE REGULATORS

#### AS440 AVR - STANDARD

With this self-excited system the main stator provides power via the Automatic Voltage Regulator (AVR) to the exciter stator. The high efficiency semi-conductors of the AVR ensure positive build-up from initial low levels of residual voltage.

The exciter rotor output is fed to the main rotor through a three-phase full-wave bridge rectifier. The rectifier is protected by a surge suppressor against surges caused, for example, by short circuit or out-of-phase paralleling.

The AS440 will support a range of electronic accessories, including a 'droop' Current Transformer (CT) to permit parallel operation with other ac generators.

#### MX341 AVR

This sophisticated AVR is incorporated into the Stamford Permanent Magnet Generator (PMG) control system.

The PMG provides power via the AVR to the main exciter, giving a source of constant excitation power independent of generator output. The main exciter output is then fed to the main rotor, through a full wave bridge, protected by a surge suppressor. The AVR has in-built protection against sustained over-excitation, caused by internal or external faults. This de-excites the machine after a minimum of 5 seconds.

An engine relief load acceptance feature can enable full load to be applied to the generator in a single step.

If three-phase sensing is required with the PMG system the MX321 AVR must be used.

We recommend three-phase sensing for applications with greatly unbalanced or highly non-linear loads.

#### MX321 AVR

The most sophisticated of all our AVRs combines all the features of the MX341 with, additionally, three-phase rms sensing, for improved regulation and performance.

Over voltage protection is built-in and short circuit current level adjustments is an optional facility.

### WINDINGS & ELECTRICAL PERFORMANCE

All generator stators are wound to 2/3 pitch. This eliminates triplen (3rd, 9th, 15th ...) harmonics on the voltage waveform and is found to be the optimum design for trouble-free supply of non-linear loads. The 2/3 pitch design avoids excessive neutral currents sometimes seen with higher winding pitches, when in parallel with the mains. A fully connected damper winding reduces oscillations during paralleling. This winding, with the 2/3 pitch and carefully selected pole and tooth designs, ensures very low waveform distortion.

### TERMINALS & TERMINAL BOX

Standard generators are 3-phase reconnectable with 12 ends brought out to the terminals, which are mounted on a cover at the non-drive end of the generator. A sheet steel terminal box contains the AVR and provides ample space for the customers' wiring and gland arrangements. It has removable panels for easy access.

### SHAFT & KEYS

All generator rotors are dynamically balanced to better than BS6861:Part 1 Grade 2.5 for minimum vibration in operation. Two bearing generators are balanced with a half key.

### INSULATION/IMPREGNATION

The insulation system is class 'H'.

All wound components are impregnated with materials and processes designed specifically to provide the high build required for static windings and the high mechanical strength required for rotating components.

### QUALITY ASSURANCE

Generators are manufactured using production procedures having a quality assurance level to BS EN ISO 9001.

The stated voltage regulation may not be maintained in the presence of certain radio transmitted signals. Any change in performance will fall within the limits of Criteria 'B' of EN 61000-6-2:2001. At no time will the steady-state voltage regulation exceed 2%.

*NB Continuous development of our products entitles us to change specification details without notice, therefore they must not be regarded as binding.*

*Front cover drawing typical of product range.*

# HCI434E/444E



## WINDING 311

|  |  |                          |                          |   |                                   |         |         |         |
|--|--|--------------------------|--------------------------|---|-----------------------------------|---------|---------|---------|
| CONTROL SYSTEM                           | SEPARATELY EXCITED BY P.M.G.   |                          |                          |   |                                   |         |         |         |
| A.V.R.                                   | MX321  | MX341                    |                          |   |                                   |         |         |         |
| VOLTAGE REGULATION                       | ± 0.5 %  | ± 1.0 %                  | With 4% ENGINE GOVERNING |   |                                   |         |         |         |
| SUSTAINED SHORT CIRCUIT                  | REFER TO SHORT CIRCUIT DECREMENT CURVES (page 7)                                     |                          |                          |   |                                   |         |         |         |
| CONTROL SYSTEM                           | SELF EXCITED   |                          |                          |   |                                   |         |         |         |
| A.V.R.                                   | AS440  |                          |                          |   |                                   |         |         |         |
| VOLTAGE REGULATION                       | ± 1.0 %  | With 4% ENGINE GOVERNING |                          |   |                                   |         |         |         |
| SUSTAINED SHORT CIRCUIT                  | WILL NOT SUSTAIN A SHORT CIRCUIT   |                          |                          |   |                                   |         |         |         |
| INSULATION SYSTEM                        | CLASS H  |                          |                          |   |                                   |         |         |         |
| PROTECTION                               | IP23   |                          |                          |   |                                   |         |         |         |
| RATED POWER FACTOR                       | 0.8  |                          |                          |   |                                   |         |         |         |
| STATOR WINDING                           | DOUBLE LAYER LAP   |                          |                          |   |                                   |         |         |         |
| WINDING PITCH                            | TWO THIRDS   |                          |                          |   |                                   |         |         |         |
| WINDING LEADS                            | 12   |                          |                          |   |                                   |         |         |         |
| STATOR WDG. RESISTANCE                   | 0.009 Ohms PER PHASE AT 22°C SERIES STAR CONNECTED                                   |                          |                          |   |                                   |         |         |         |
| ROTOR WDG. RESISTANCE                    | 1.19 Ohms at 22°C  |                          |                          |   |                                   |         |         |         |
| EXCITER STATOR RESISTANCE                | 18 Ohms at 22°C  |                          |                          |   |                                   |         |         |         |
| EXCITER ROTOR RESISTANCE                 | 0.068 Ohms PER PHASE AT 22°C   |                          |                          |   |                                   |         |         |         |
| R.F.I. SUPPRESSION                       | BS EN 61000-6-2 & BS EN 61000-6-4, VDE 0875G, VDE 0875N. refer to factory for others |                          |                          |   |                                   |         |         |         |
| WAVEFORM DISTORTION                      | NO LOAD < 1.5% NON-DISTORTING BALANCED LINEAR LOAD < 5.0%                            |                          |                          |   |                                   |         |         |         |
| MAXIMUM OVERSPEED                        | 2250 Rev/Min   |                          |                          |   |                                   |         |         |         |
| BEARING DRIVE END                        | BALL. 6317 (ISO)   |                          |                          |   |                                   |         |         |         |
| BEARING NON-DRIVE END                    | BALL. 6314 (ISO)   |                          |                          |   |                                   |         |         |         |
|  | 1 BEARING  |                          |                          |   | 2 BEARING                         |         |         |         |
| WEIGHT COMP. GENERATOR                   | 1024 kg  |                          |                          |   | 1030 kg                           |         |         |         |
| WEIGHT WOUND STATOR                      | 470 kg   |                          |                          |   | 470 kg                            |         |         |         |
| WEIGHT WOUND ROTOR                       | 400 kg   |                          |                          |   | 377 kg                            |         |         |         |
| WR <sup>2</sup> INERTIA                  | 4.6331 kgm <sup>2</sup>  |                          |                          |   | 4.4343 kgm <sup>2</sup>           |         |         |         |
| SHIPPING WEIGHTS in a crate              | 1095 kg  |                          |                          |   | 1100 kg                           |         |         |         |
| PACKING CRATE SIZE                       | 155 x 87 x 107(cm)   |                          |                          |   | 155 x 87 x 107(cm)                |         |         |         |
|  | 50 Hz  |                          |                          |   | 60 Hz                             |         |         |         |
| TELEPHONE INTERFERENCE                   | THF<2%   |                          |                          |   | TIF<50                            |         |         |         |
| COOLING AIR                              | 0.8 m <sup>3</sup> /sec 1700 cfm   |                          |                          |   | 0.99 m <sup>3</sup> /sec 2100 cfm |         |         |         |
| VOLTAGE SERIES STAR                      | 380/220  | 400/231                  | 415/240                  | 440/254   | 416/240                           | 440/254 | 460/266 | 480/277 |
| VOLTAGE PARALLEL STAR                    | 190/110  | 200/115                  | 208/120                  | 220/127   | 208/120                           | 220/127 | 230/133 | 240/138 |
| VOLTAGE SERIES DELTA                     | 220/110  | 230/115                  | 240/120                  | 254/127   | 240/120                           | 254/127 | 266/133 | 277/138 |
| KVA BASE RATING FOR REACTANCE VALUES     | 350  | 350                      | 350                      | 350   | 400                               | 420     | 440     | 440     |
| X <sub>d</sub> DIR. AXIS SYNCHRONOUS     | 3.01   | 2.71                     | 2.52                     | 2.24  | 3.47                              | 3.26    | 3.12    | 2.87    |
| X' <sub>d</sub> DIR. AXIS TRANSIENT      | 0.20   | 0.18                     | 0.17                     | 0.15  | 0.21                              | 0.20    | 0.19    | 0.17    |
| X'' <sub>d</sub> DIR. AXIS SUBTRANSIENT  | 0.14   | 0.13                     | 0.12                     | 0.11  | 0.15                              | 0.14    | 0.13    | 0.12    |
| X <sub>q</sub> QUAD. AXIS REACTANCE      | 2.58   | 2.33                     | 2.16                     | 1.92  | 2.92                              | 2.74    | 2.63    | 2.41    |
| X'' <sub>q</sub> QUAD. AXIS SUBTRANSIENT | 0.36   | 0.32                     | 0.30                     | 0.27  | 0.41                              | 0.38    | 0.37    | 0.34    |
| X <sub>L</sub> LEAKAGE REACTANCE         | 0.07   | 0.06                     | 0.06                     | 0.05  | 0.08                              | 0.08    | 0.07    | 0.07    |
| X <sub>2</sub> NEGATIVE SEQUENCE         | 0.24   | 0.22                     | 0.20                     | 0.18  | 0.28                              | 0.26    | 0.25    | 0.23    |
| X <sub>0</sub> ZERO SEQUENCE             | 0.10   | 0.09                     | 0.08                     | 0.07  | 0.10                              | 0.09    | 0.09    | 0.08    |
| REACTANCES ARE SATURATED                 |  |                          |                          | VALUES ARE PER UNIT AT RATING AND VOLTAGE INDICATED |                                   |         |         |         |
| T' <sub>d</sub> TRANSIENT TIME CONST.    | 0.08s  |                          |                          |   |                                   |         |         |         |
| T'' <sub>d</sub> SUB-TRANSTIME CONST.    | 0.019s   |                          |                          |   |                                   |         |         |         |
| T' <sub>do</sub> O.C. FIELD TIME CONST.  | 1.7s   |                          |                          |   |                                   |         |         |         |
| T <sub>a</sub> ARMATURE TIME CONST.      | 0.018s   |                          |                          |   |                                   |         |         |         |
| SHORT CIRCUIT RATIO                      | 1/X <sub>d</sub>   |                          |                          |   |                                   |         |         |         |

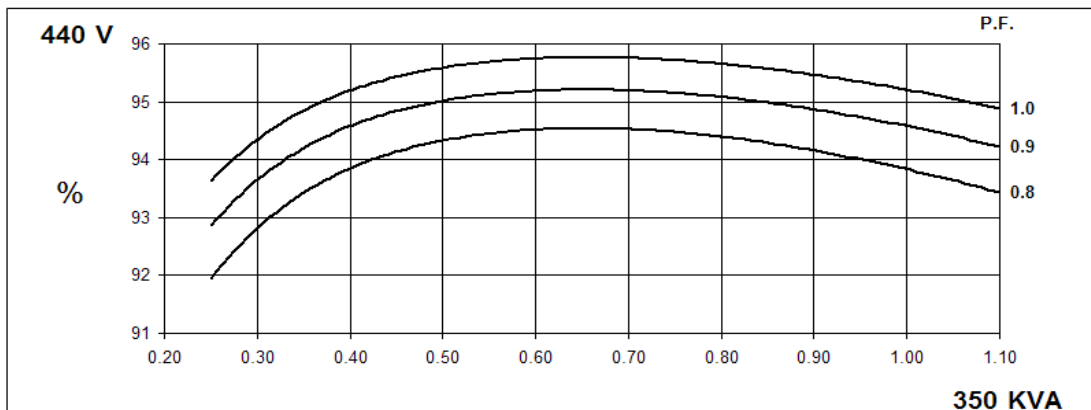
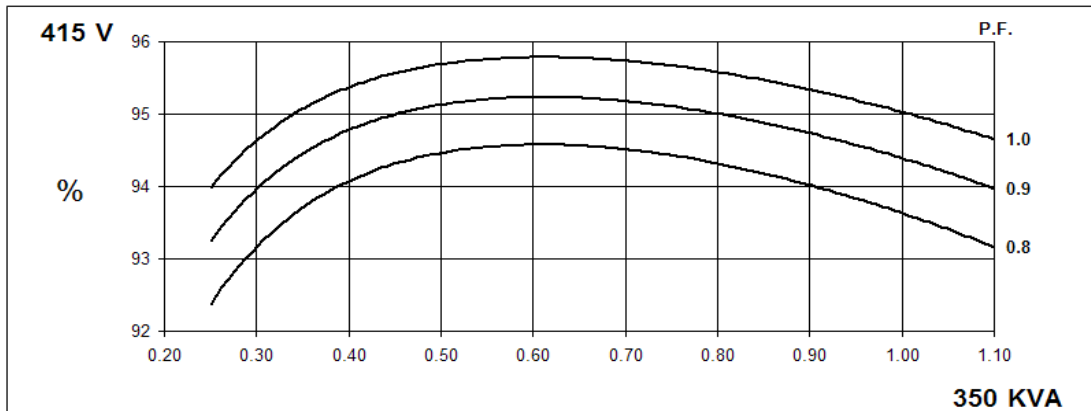
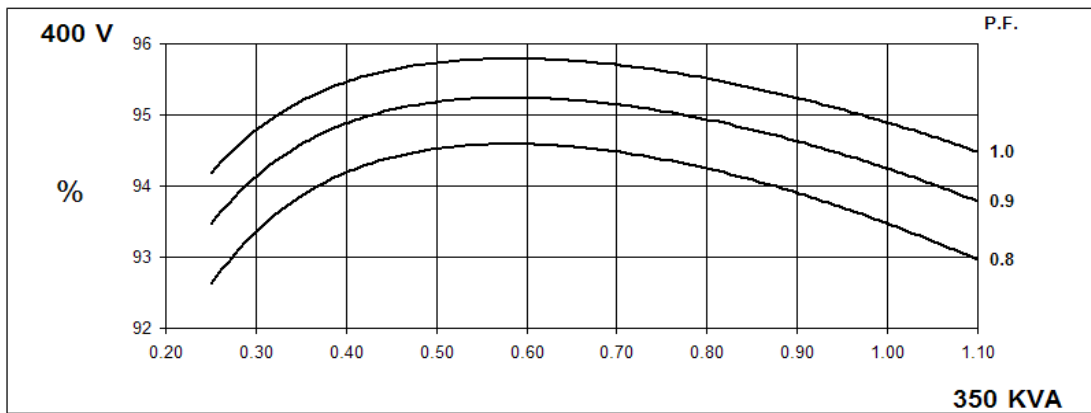
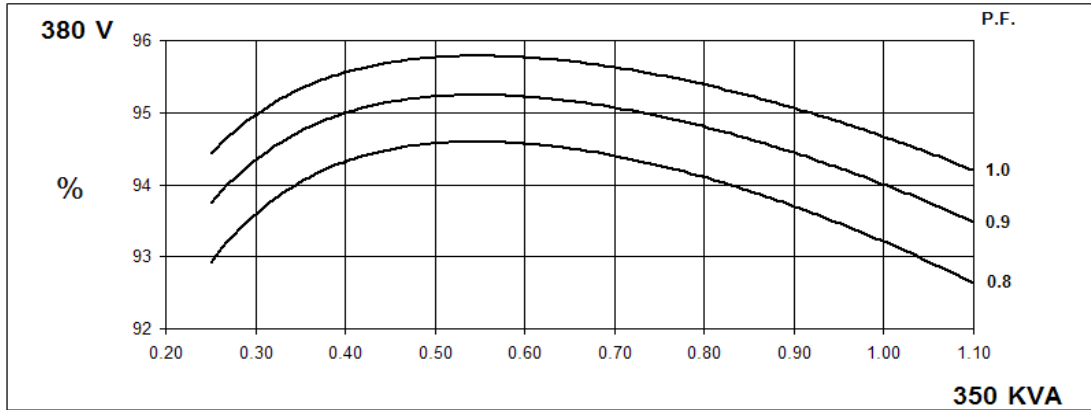
50  
Hz

HCI434E/444E

**STAMFORD**

Winding 311

**THREE PHASE EFFICIENCY CURVES**





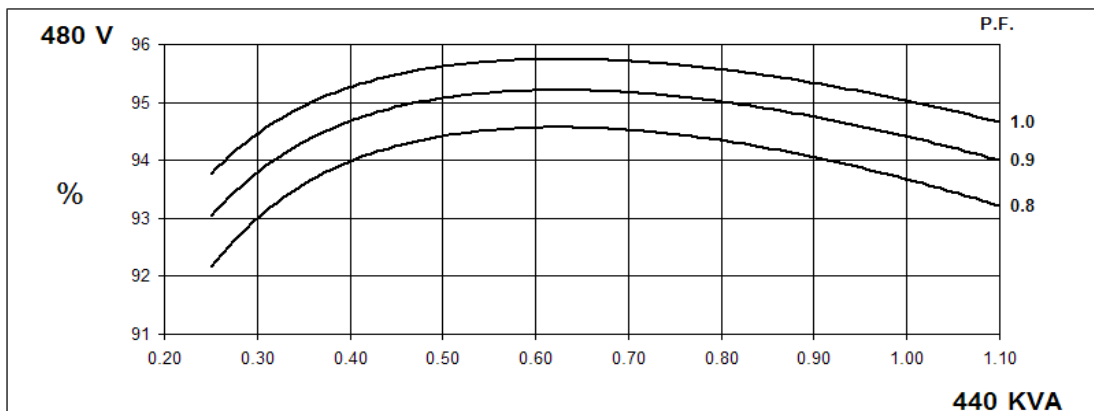
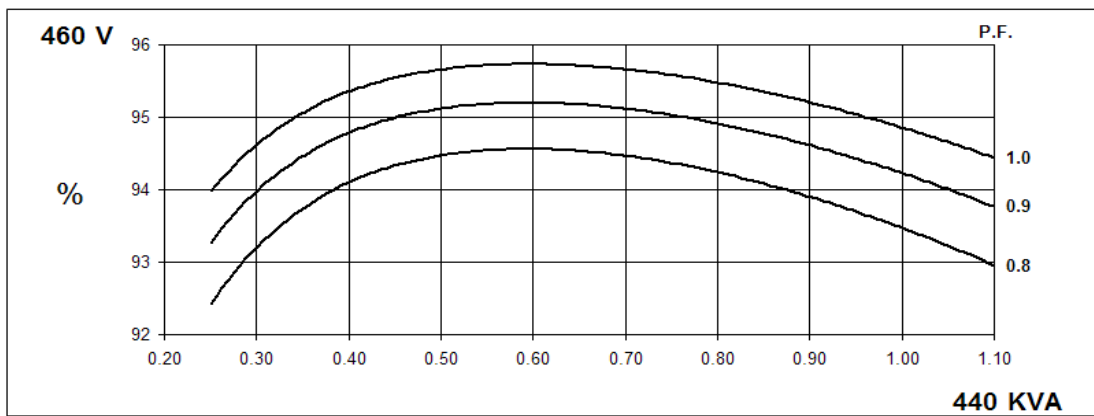
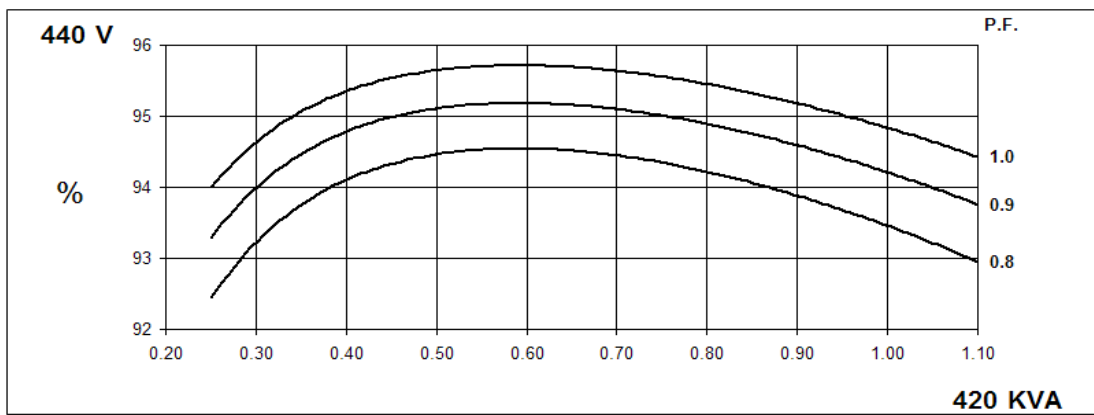
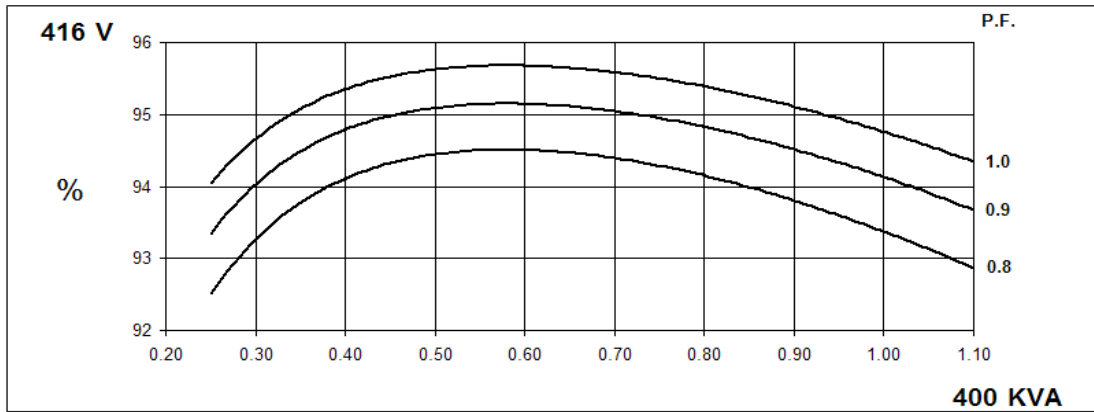
60  
Hz

HCI434E/444E

**STAMFORD**

Winding 311

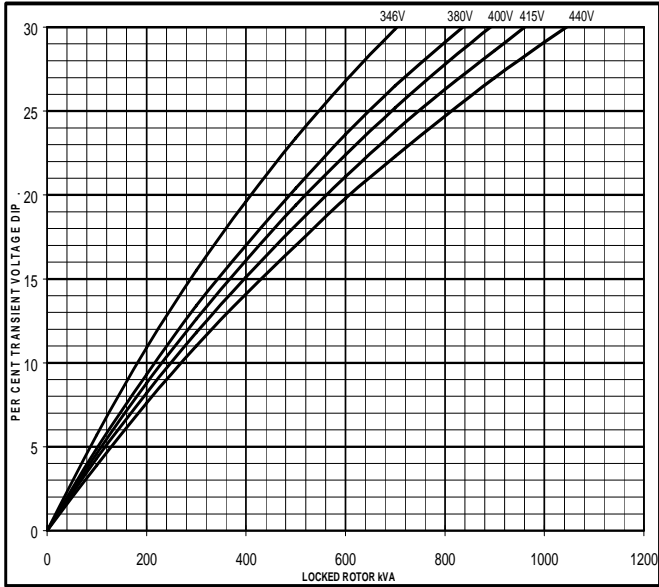
**THREE PHASE EFFICIENCY CURVES**



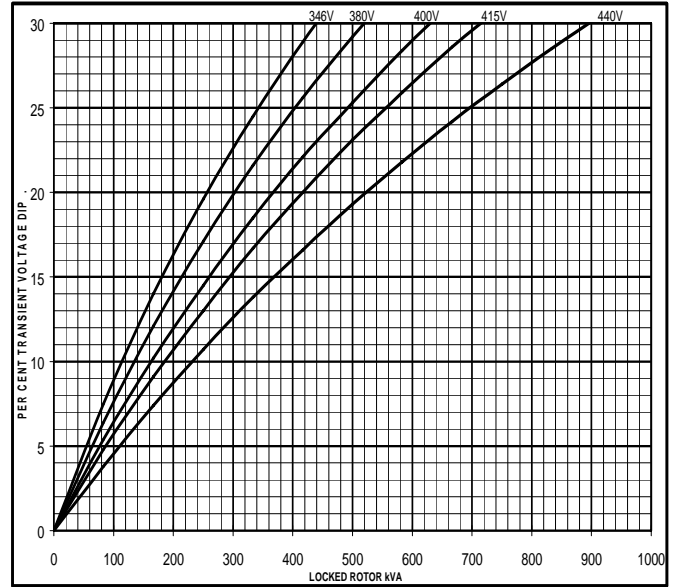
**Locked Rotor Motor Starting Curve**

50  
Hz

MX

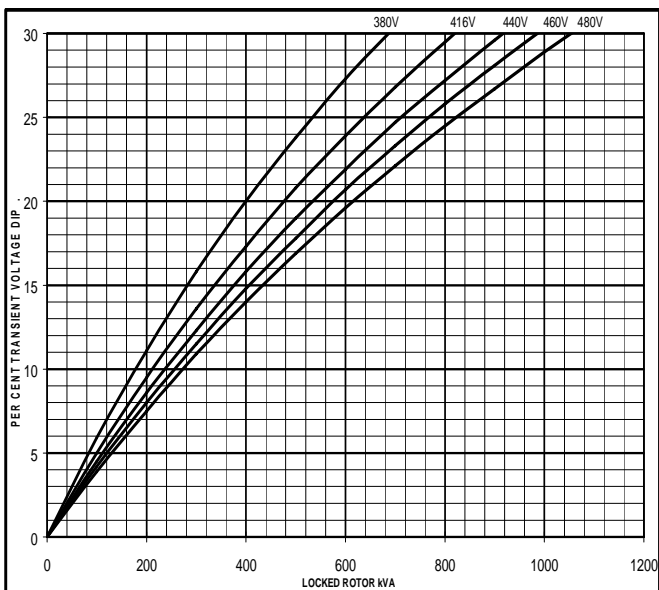


SX

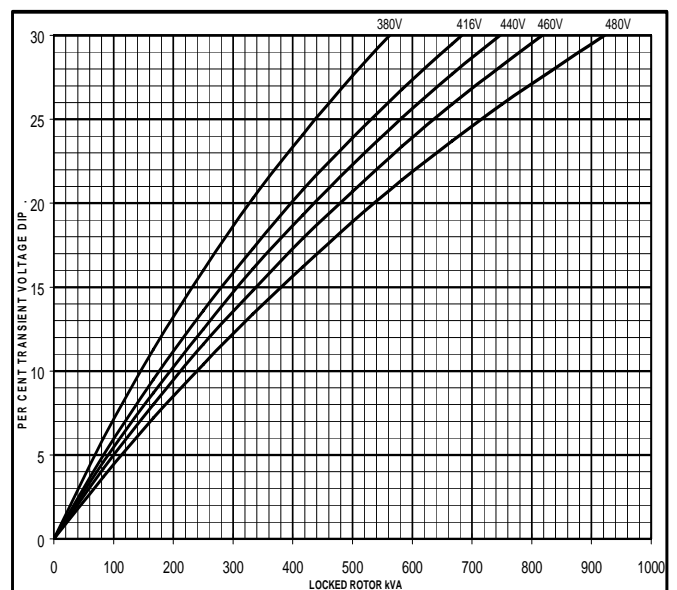


60  
Hz

MX

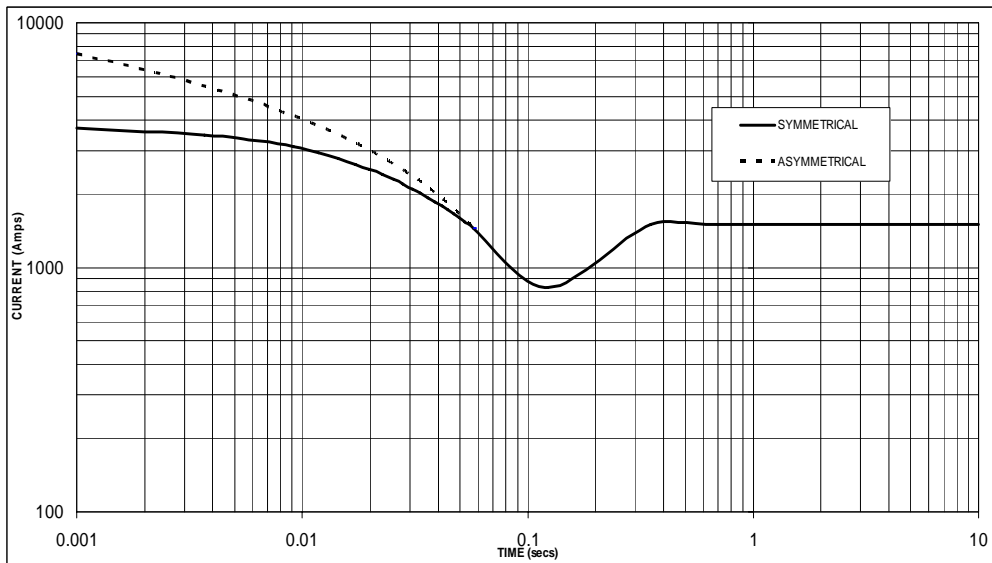


SX



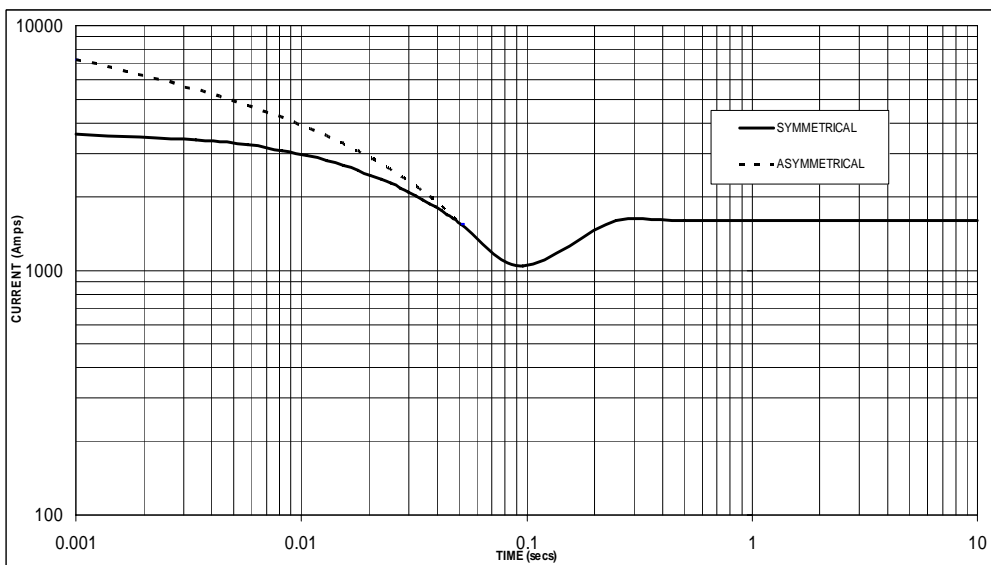
**Three-phase Short Circuit Decrement Curve. No-load Excitation at Rated Speed  
Based on star (wye) connection.**

**50  
Hz**



Sustained Short Circuit = 1,500 Amps

**60  
Hz**



Sustained Short Circuit = 1,600 Amps

**Note 1**

The following multiplication factors should be used to adjust the values from curve between time 0.001 seconds and the minimum current point in respect of nominal operating voltage :

| 50Hz    |        | 60Hz    |        |
|---------|--------|---------|--------|
| Voltage | Factor | Voltage | Factor |
| 380v    | X 1.00 | 416v    | X 1.00 |
| 400v    | X 1.05 | 440v    | X 1.06 |
| 415v    | X 1.10 | 460v    | X 1.10 |
| 440v    | X 1.16 | 480v    | X 1.15 |

The sustained current value is constant irrespective of voltage level

**Note 2**

The following multiplication factor should be used to convert the values calculated in accordance with NOTE 1 to those applicable to the various types of short circuit :

|                         | 3-phase | 2-phase L-L | 1-phase L-N |
|-------------------------|---------|-------------|-------------|
| Instantaneous           | x 1.00  | x 0.87      | x 1.30      |
| Minimum                 | x 1.00  | x 1.80      | x 3.20      |
| Sustained               | x 1.00  | x 1.50      | x 2.50      |
| Max. sustained duration | 10 sec. | 5 sec.      | 2 sec.      |

All other times are unchanged

**Note 3**

Curves are drawn for Star (Wye) connected machines. For other connection the following multipliers should be applied to current values as shown :

# HCI434E/444E

## Winding 311 / 0.8 Power Factor

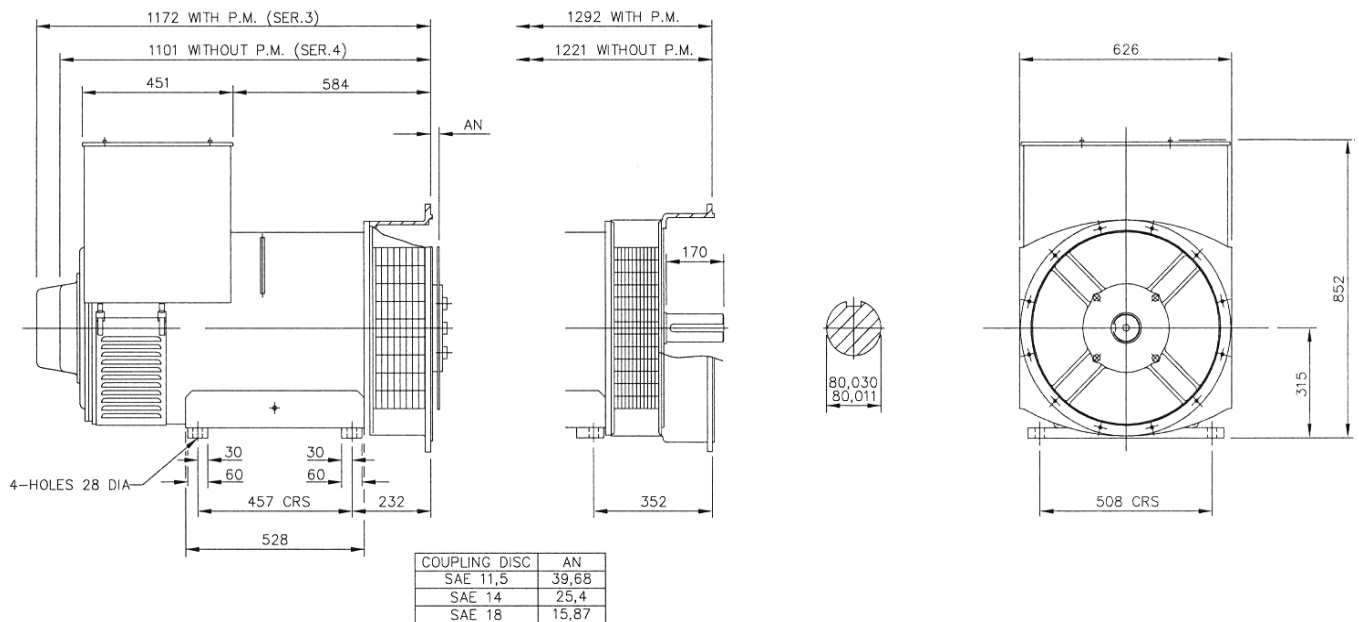
**STAMFORD**

### RATINGS

| Class - Temp Rise | Cont. F - 105/40°C |      |      |      | Cont. H - 125/40°C |      |      |      | Standby - 150/40°C |      |      |      | Standby - 163/27°C |      |      |      |     |
|-------------------|--------------------|------|------|------|--------------------|------|------|------|--------------------|------|------|------|--------------------|------|------|------|-----|
| <b>50 Hz</b>      | Series Star (V)    | 380  | 400  | 415  | 440                | 380  | 400  | 415  | 440                | 380  | 400  | 415  | 440                | 380  | 400  | 415  | 440 |
|                   | Parallel Star (V)  | 190  | 200  | 208  | 220                | 190  | 200  | 208  | 220                | 190  | 200  | 208  | 220                | 190  | 200  | 208  | 220 |
|                   | Series Delta (V)   | 220  | 230  | 240  | 254                | 220  | 230  | 240  | 254                | 220  | 230  | 240  | 254                | 220  | 230  | 240  | 254 |
| kVA               | 320                | 320  | 320  | 320  | 350                | 350  | 350  | 350  | 370                | 370  | 370  | 370  | 380                | 400  | 380  | 380  |     |
| kW                | 256                | 256  | 256  | 256  | 280                | 280  | 280  | 280  | 296                | 296  | 296  | 296  | 304                | 320  | 304  | 304  |     |
| Efficiency (%)    | 93.6               | 93.8 | 94.0 | 94.1 | 93.2               | 93.5 | 93.6 | 93.8 | 92.9               | 93.2 | 93.4 | 93.6 | 92.7               | 92.7 | 93.2 | 93.5 |     |
| kW Input          | 274                | 273  | 272  | 272  | 300                | 299  | 299  | 299  | 319                | 318  | 317  | 316  | 328                | 345  | 326  | 325  |     |

|                |                   |      |      |      |      |      |      |      |      |      |      |      |      |      |      |      |     |
|----------------|-------------------|------|------|------|------|------|------|------|------|------|------|------|------|------|------|------|-----|
| <b>60 Hz</b>   | Series Star (V)   | 416  | 440  | 460  | 480  | 416  | 440  | 460  | 480  | 416  | 440  | 460  | 480  | 416  | 440  | 460  | 480 |
|                | Parallel Star (V) | 208  | 220  | 230  | 240  | 208  | 220  | 230  | 240  | 208  | 220  | 230  | 240  | 208  | 220  | 230  | 240 |
|                | Series Delta (V)  | 240  | 254  | 266  | 277  | 240  | 254  | 266  | 277  | 240  | 254  | 266  | 277  | 240  | 254  | 266  | 277 |
| kVA            | 365               | 385  | 400  | 400  | 400  | 420  | 440  | 440  | 420  | 445  | 460  | 460  | 435  | 455  | 475  | 475  |     |
| kW             | 292               | 308  | 320  | 320  | 320  | 336  | 352  | 352  | 336  | 356  | 368  | 368  | 348  | 364  | 380  | 380  |     |
| Efficiency (%) | 93.8              | 93.8 | 93.9 | 94.0 | 93.4 | 93.5 | 93.5 | 93.7 | 93.1 | 93.2 | 93.2 | 93.5 | 92.9 | 93.0 | 93.1 | 93.3 |     |
| kW Input       | 311               | 328  | 341  | 340  | 343  | 359  | 376  | 376  | 361  | 382  | 395  | 394  | 375  | 391  | 408  | 407  |     |

### DIMENSIONS



**STAMFORD**

Barnack Road • Stamford • Lincolnshire • PE9 2NB  
Tel: 00 44 (0)1780 484000 • Fax: 00 44 (0)1780 484100

www.TST-CO.com