

AE POWERPLUS MODULE

AE M6-72 Series 320W-345W

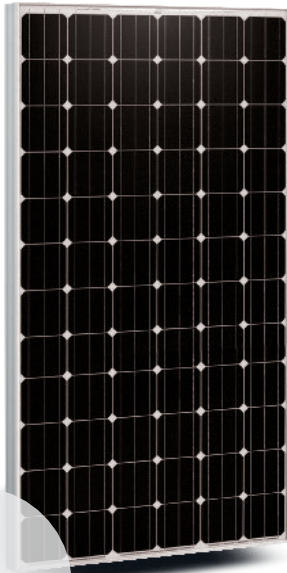


ILLUSTRATION ONLY



We produce with green energy!



POWER RANGE
Plus-Sorting 0 to + 4,99Wp



PID RESISTANT
Potential Induced Degradation Free



SALT CORROSION RESISTANT
Certified for Salt Rich Environment



SAND RESISTANT
Certified for Sand Rich Environment



AMMONIA RESISTANT
Certified for Ammonia Rich Atmosphere



HIGHLY STABLE AND TOUGH
Maximum Mechanical Load 5400 Pa



GERMAN QUALITY
AE Solar photovoltaic modules are manufactured using high-quality materials, automated machine, German Technology and Standards



PLUS-SORTING
Higher yield due to plus-sorting of 0 to +4.99 Wp guarantees the high system efficiency and yield stability

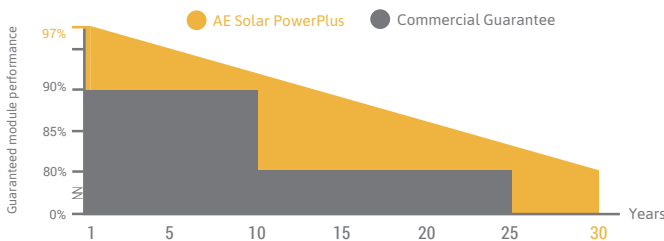


PERFORMANCE GUARANTEE
AE Solar assures high investment, security and warranty claims by providing linear performance guarantee of 30 years and 12 years of product warranty



CERTIFICATES
Lining with International Standards, AE Solar Photovoltaic modules are tested and certified under extreme stress and it can bear harsh environmental influences

OUR PERFORMANCE GUARANTEE



IEC 61215
IEC 61730
PERIODICAL
INCEPTION



IEC 61215
IEC 61730
PERIODICAL
INCEPTION



PID RESISTANT
SALT MIST RESISTANT
SAND RESISTANT
CORROSIVE GAS (NH₃)



AE SOLAR
Messerschmittring 54
86343 Königsbrunn
Germany

Tel.: +49 8231 97 82 68 0
Fax: +49 8231 97 82 68 9

E-Mail: info@ae-solar.com
Web: www.ae-solar.com

ELECTRICAL DATA

AE320M6-72 AE325M6-72 AE330M6-72 AE335M6-72 AE340M6-72 AE345M6-72

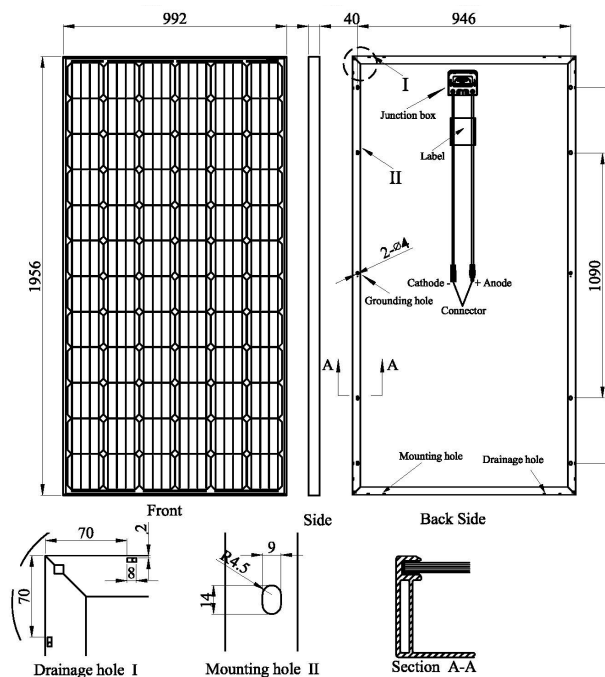
Parameter	Unit	AE320M6-72	AE325M6-72	AE330M6-72	AE335M6-72	AE340M6-72	AE345M6-72
Nominal power	Pm (Wp)	320	325	330	335	340	345
Open circuit voltage	Voc (V)	46.43	46.62	46.74	46.84	46.94	47.08
Short-circuit current	Isc (A)	9.26	9.34	9.38	9.43	9.48	9.51
Voltage at max power	Vmp (V)	38.27	38.54	38.72	38.85	39.09	39.34
Current at max power	Imp (A)	8.36	8.43	8.52	8.62	8.70	8.77
Filling Factor	(%)	74.43	74.64	75.27	75.84	76.41	77.06
Module Efficiency	(%)	16.49	16.75	17.01	17.26	17.52	17.78
System Voltage	(V)	1000					
Temp. coefficient Voc	(%/°C)	-0.36					
Temp. coefficient Isc	(%/°C)	0.06					
Temp. coefficient Pm	(%/°C)	-0.36					
Operating temp.	(°C)	-40 to +85					
NOCT	(°C)	45±2					

The electrical data apply to standard test conditions (STC): Irradiance of 1000 W/m² with spectrum AM 1.5 and a cell temperature of 25°C.

TECHNICAL DATA

Junction box	3 bypass diodes, IP 67
Wire cross section (Ø, mm ²)	4.0
Cable length (mm)	900 or 1100
Connector type	MC 4 / MC 4 compatible
Dimensions (L x W x H, mm)	1956 x 992 x 40
Weight (kg)	23.5
Specification (mm)	Mono 156 / 6 x 12
Hail resistance	Max. Ø 28 mm, at 23 m/s
Wind load	2400Pa / 244kg / m ²
Mechanical load	5400Pa / 550kg / m ²

SCALE



PACKAGING INFORMATION

Packing Configuration	54pcs / pallet
Loading Capacity	648pcs / 40HQ
Size / pallet (mm)	1990 x 1120 x 2335
Weight	1380kg / pallet

