

AE POWERPLUS MODULE

AE M5-36 Series 90W-110W



ILLUSTRATION ONLY

GERMAN QUALITY

We produce with green energy!



90W
-
110W

POWER RANGE

Plus-Sorting 0 to + 4,99Wp

PID
FREE

PID RESISTANT

Potential Induced Degradation Free



SALT CORROSION RESISTANT

Certified for Salt Rich Environment



SAND RESISTANT

Certified for Sand Rich Environment

NH₃
S

AMMONIA RESISTANT

Certified for Ammonia Rich Atmosphere

550
kg/m²

HIGHLY STABLE AND TOUGH

Maximum Mechanical Load 5400 Pa



GERMAN QUALITY

AE Solar photovoltaic modules are manufactured using high-quality materials, automated machine, German Technology and Standards



PLUS-SORTING

Higher yield due to plus-sorting of 0 to +4.99 Wp guarantees the high system efficiency and yield stability



PERFORMANCE GUARANTEE

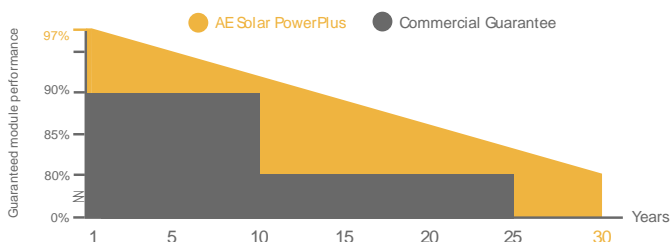
AE Solar assures high investment, security and warranty claims by providing linear performance guarantee of 30 years and 12 years of product warranty



CERTIFICATES

Lining with International Standards, AE Solar Photovoltaic modules are tested and certified under extreme stress and it can bear harsh environmental influences

OUR PERFORMANCE GUARANTEE



IEC 61215
IEC 61730
PERIODICAL
INCEPTION



IEC 61215
IEC 61730
PERIODICAL
INCEPTION



PID RESISTANT
SALT MIST RESISTANT
SAND RESISTANT
CORROSIVE GAS (NH₃)

CEC CE



It's time to save the world!

Tel.: +49 8231 97 82 68 0
Fax: +49 8231 97 82 68 9

E-Mail: info@ae-solar.com
Web: www.ae-solar.com

TECHNICAL DATA

AE M5-36 Series 90W-110W

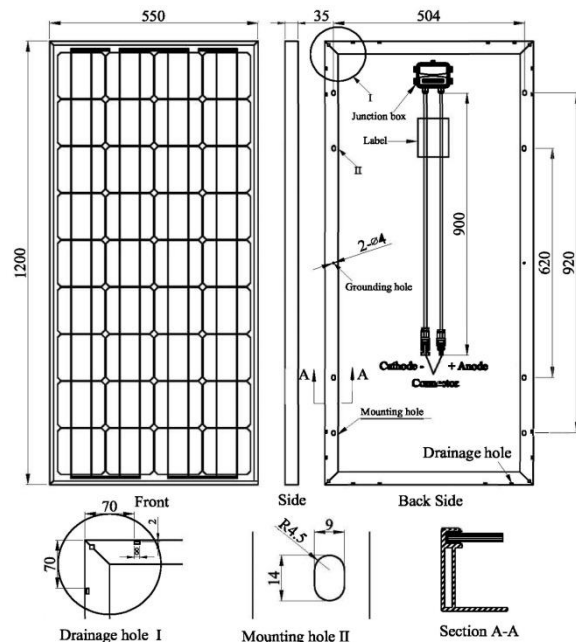
| ELECTRICAL DATA | | AE90M5-36 | AE95M5-36 | AE100M5-36 | AE105M5-36 | AE110M5-36 |
|-----------------------|---------|-----------|-----------|------------|------------|------------|
| Nominal power | Pm (Wp) | 90 | 95 | 100 | 105 | 110 |
| Open circuit voltage | Voc (V) | 22.45 | 22.61 | 22.77 | 22.93 | 23.09 |
| Short-circuit current | Isc (A) | 5.19 | 5.36 | 5.52 | 5.69 | 5.86 |
| Voltage at max power | Vmp (V) | 18.74 | 18.90 | 19.06 | 19.22 | 19.39 |
| Current at max power | Imp (A) | 4.80 | 5.03 | 5.25 | 5.46 | 5.67 |
| Filling Factor | (%) | 77.24 | 78.39 | 79.56 | 80.48 | 81.30 |
| Module Efficiency | (%) | 13.64 | 14.39 | 15.15 | 15.91 | 16.67 |
| System Voltage | (V) | | | 1000 | | |
| Temp. coefficient Voc | (%/°C) | | | -0.36 | | |
| Temp. coefficient Isc | (%/°C) | | | 0.06 | | |
| Temp. coefficient Pm | (%/°C) | | | -0.36 | | |
| Operating temp. | (°C) | | | -40 to +85 | | |
| NOCT | (°C) | | | 45±2 | | |

The electrical data apply to standard test conditions (STC): Irradiance of 1000 W/m² with spectrum AM 1.5 and a cell temperature of 25°C.

TECHNICAL DATA

| | |
|--|---------------------------------|
| Junction box | 2 bypass diodes, IP 67 |
| Wire cross section (∅, mm ²) | 4.0 |
| Cable length (mm) | 900 |
| Connector type | MC 4 / MC 4 compatible |
| Dimensions (L x W x H, mm) | 1200 x 550 x 35 |
| Weight (kg) | 5.78 |
| Specification (mm) | Mono 125 / 4 x 9 |
| Hail resistance | Max. ∅ 25 mm, at 23 m/s |
| Wind load | 2400Pa / 244kg / m ² |
| Mechanical load | 5400Pa / 550kg / m ² |

SCALE



PACKAGING INFORMATION

| | |
|-----------------------|--------------------|
| Packing configuration | 96pcs / pallet |
| Loading Capacity | 1728pcs / 40HQ |
| Size / pallet (mm) | 1250 x 1135 x 2325 |
| Weight | 665kg / pallet |



AE SOLAR
Messerschmittring 54
86343 Königsbrunn
Germany

Tel.: +49 8231 97 82 68 0
Fax: +49 8231 97 82 68 9

E-Mail: info@ae-solar.com
Web: www.ae-solar.com