

# AE POWERPLUS MODULE

AE P6-36 Series 150W-165W



ILLUSTRATION ONLY



We produce with green energy!



## POWER RANGE

Plus-Sorting 0 to + 4,99Wp



## PID RESISTANT

Potential Induced Degradation Free



## SALT CORROSION RESISTANT

Certified for Salt Rich Environment



## SAND RESISTANT

Certified for Sand Rich Environment



## AMMONIA RESISTANT

Certified for Ammonia Rich Atmosphere



## HIGHLY STABLE AND TOUGH

Maximum Mechanical Load 5400 Pa



## GERMAN QUALITY

AE Solar photovoltaic modules are manufactured using high-quality materials, automated machine, German Technology and Standards



## PLUS-SORTING

Higher yield due to plus-sorting of 0 to +4.99 Wp guarantees the high system efficiency and yield stability



## PERFORMANCE GUARANTEE

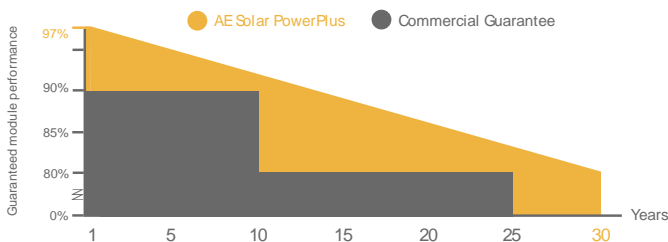
AE Solar assures high investment, security and warranty claims by providing linear performance guarantee of 30 years and 12 years of product warranty



## CERTIFICATES

Lining with International Standards, AE Solar Photovoltaic modules are tested and certified under extreme stress and it can bear harsh environmental influences

## OUR PERFORMANCE GUARANTEE



IEC 61215  
IEC 61730  
PERIODICAL  
INCEPTION



IEC 61215  
IEC 61730  
PERIODICAL  
INCEPTION



PID RESISTANT  
SALT MIST RESISTANT  
SAND RESISTANT  
CORROSIVE GAS (NH<sub>3</sub>)



It's time to save the world !

Tel.: +49 8231 97 82 68 0  
Fax: +49 8231 97 82 68 9

E-Mail: [info@ae-solar.com](mailto:info@ae-solar.com)  
Web: [www.ae-solar.com](http://www.ae-solar.com)

# TECHNICAL DATA

## AE P6-36 Series 150W-165W

### ELECTRICAL DATA

AE150P6-36

AE155P6-36

AE160P6-36

AE165P6-36

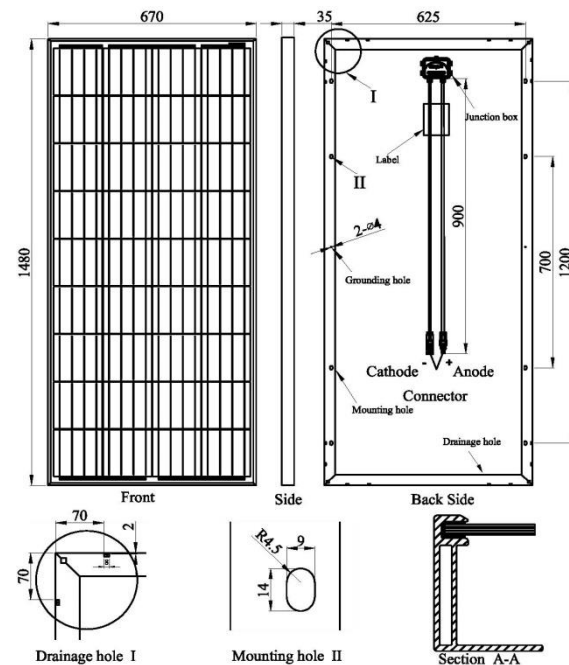
Parameter	Symbol	AE150P6-36	AE155P6-36	AE160P6-36	AE165P6-36
Nominal power	Pm (Wp)	150	155	160	165
Open circuit voltage	Voc (V)	22.48	22.69	22.90	23.10
Short-circuit current	Isc (A)	9.22	9.27	9.31	9.35
Voltage at max power	Vmp (V)	17.49	17.90	18.32	18.74
Current at max power	Imp (A)	8.58	8.66	8.73	8.80
Filling Factor	(%)	72.37	73.69	75.05	76.39
Module Efficiency	(%)	15.13	15.63	16.14	16.64
System Voltage	(V)	1000			
Temp. coefficient Voc	(%/°C)	-0.36			
Temp. coefficient Isc	(%/°C)	0.06			
Temp. coefficient Pm	(%/°C)	-0.36			
Operating temp.	(°C)	-40 to +85			
NOCT	(°C)	45±2			

The electrical data apply to standard test conditions (STC): Irradiance of 1000 W/m<sup>2</sup> with spectrum AM 1.5 and a cell temperature of 25°C.

### TECHNICAL DATA

Junction box	2 bypass diodes, IP 67
Wire cross section (∅, mm <sup>2</sup> )	4.0
Cable length (mm)	900
Connector type	MC 4 / MC 4 compatible
Dimensions (L x W x H, mm)	1480 x 670 x 35
Weight (kg)	10.8
Specification (mm)	Poly 156 / 4 x 9
Hail resistance	Max. ∅ 25 mm, at 23 m/s
Wind load	2400Pa / 244kg / m <sup>2</sup>
Mechanical load	5400Pa / 550kg / m <sup>2</sup>

### SCALE



### PACKAGING INFORMATION

Packing configuration	90pcs / pallet
Loading Capacity	1350pcs / 40HQ
Size / pallet (mm)	1530 x 1135 x 2430
Weight	1098kg / pallet



**AE SOLAR**  
Messerschmittring 54  
86343 Königsbrunn  
Germany

Tel.: +49 8231 97 82 68 0  
Fax: +49 8231 97 82 68 9

E-Mail: [info@ae-solar.com](mailto:info@ae-solar.com)  
Web: [www.ae-solar.com](http://www.ae-solar.com)